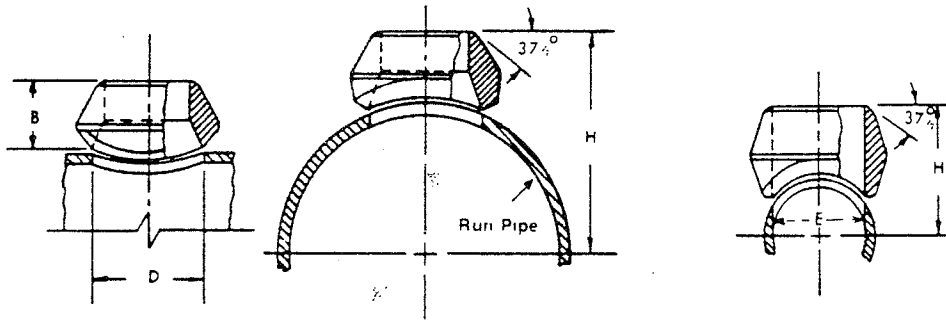


"The Pipe Fittings Specialists"

Houston

FITTINGS INC.

BUTT WELDING OUTLET



REDUCING SIZES

OUTLET INCHES	DIMENSIONS	
	B	D
1/2	3/4	15/16
3/4	7/8	1-3/16
1	1-1/16	1-7/16
1-1/4	1-1/4	1-3/4
1-1/2	1-5/16	2
2	1-1/2	2-9/16
2-1/2	1-5/8	3
3	1-3/4	3-11/16
3-1/2	1-7/8	4
4	2	4-3/4
5	2-1/4	5-9/16
6	2-3/8	6-11/16
8	2-3/4	8-11/16

FULL SIZES

OUTLET INCHES	DIMENSIONS		
	B	D	E
1/2	3/4	15/16	5/8
3/4	7/8	1-3/16	13/16
1	1-1/16	1-7/16	1-1/32
1-1/4	1-1/4	1-3/4	1-3/8
1-1/2	1-5/16	2	1-5/8
2	1-1/2	2-9/16	2-1/16
2-1/2	1-5/8	3	2-7/16
3	1-3/4	3-11/16	3-1/16
3-1/2	2	4-5/16	3-9/16
4	2	4-3/4	4
5	2-1/8	5-13/16	5-1/16
6	2-3/8	6-11/16	6-1/16
8	2-3/4	8-11/16	7-15/16