

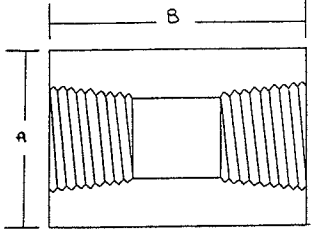
Dimensions of Caps

Nominal Pipe Size	Outside Diameter at Bevel	Length ¹ E	Limiting Wall Thickness for Length E	Length ² E ₁
1/2	0.840	1	0.147	1
3/4	1.050	1	0.154	1
1	1.315	1 1/2	0.179	1 1/2
1 1/4	1.660	1 1/2	0.191	1 1/2
1 1/2	1.990	1 1/2	0.200	1 1/2
2	2.375	1 1/2	0.218	1 3/4
2 1/2	2.875	1 1/2	0.276	2
3	3.500	2	0.300	2 1/2
3 1/2	4.000	2 1/2	0.318	3
4	4.500	2 1/2	0.337	3
5	5.563	3	0.375	3 1/2
6	6.625	3 1/2	0.432	4
8	8.625	4	0.500	5

All dimensions are in inches.

1. Length E applies for thickness not exceeding that given in column "Limiting Wall Thickness for Length E."
2. Length E applies for thickness greater than that given in column "Limiting Wall Thickness" for sizes 24 in. and smaller.

The Pipe Fittings Specialists
Houston
 FITTINGS INC.

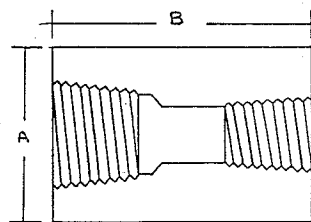


3000 POUND

Nominal Pipe Size	1/8	1/4	3/8	1/2	3/4	1	1 1/4	1 1/2	2	2 1/2	3	3 1/2	4
Dimension A	5/8	3/4	7/8	1 1/8	1 3/8	1 3/4	2 1/4	2 1/2	3	3 5/8	4 1/4	4 3/4	5 1/2
Dimension B	1 1/4	1 3/8	1 1/2	1 7/8	2	2 3/8	2 5/8	3 1/8	3 3/8	3 5/8	4 1/4	4 1/2	4 3/4
Approx. Wt. - Lbs.	.08	.10	.14	.29	.42	.83	1.58	2.16	2.99	4.75	6.51	7.93	12.37

6000 POUND

Nominal Pipe Size	1/8	1/4	3/8	1/2	3/4	1	1 1/4	1 1/2	2	2 1/2	3	3 1/2	4
Dimension A	7/8	1	1 1/4	1 1/2	1 3/4	2 1/4	2 1/2	3	3 5/8	4 1/4	5	5 3/4	6 1/4
Dimension B	1 1/4	1 3/8	1 1/2	1 7/8	2	2 3/8	2 5/8	3 1/8	3 3/8	3 5/8	4 1/4	4 1/2	4 3/4
Approx. Wt. - Lbs.	.18	.23	.40	.69	.95	1.90	2.27	4.11	6.17	9.25	13.65	18.53	22.13

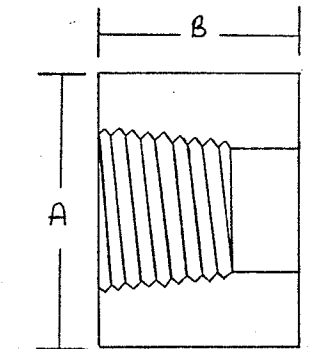


3000 POUND

Nominal Pipe Size	1/8	1/4	3/8	1/2	3/4	1	1 1/4	1 1/2	2	2 1/2	3	3 1/2	4
Dimension A	—	3/4	7/8	1 1/8	1 3/8	1 3/4	2 1/4	2 1/2	3	3 5/8	4 1/4	4 3/4	5 1/2
Dimension B	—	1 3/8	1 1/2	1 7/8	2	2 3/8	2 5/8	3 1/8	3 3/8	3 5/8	4 1/4	4 1/2	4 3/4
Approx. Wt. - Lbs.		.11	.16	.32	.50	.98	1.87	2.41	3.71	5.92	10.13	11.98	14.71

6000 POUND

Nominal Pipe Size	1/8	1/4	3/8	1/2	3/4	1	1 1/4	1 1/2	2	2 1/2	3	3 1/2	4
Dimension A	—	1	1 1/4	1 1/2	1 3/4	2 1/4	2 1/2	3	3 5/8	4 1/4	5	5 3/4	6 1/4
Dimension B	—	1 3/8	1 1/2	1 7/8	2	2 3/8	2 5/8	3 1/8	3 3/8	3 5/8	4 1/4	4 1/2	4 3/4
Approx. Wt. - Lbs.		.29	.44	.73	1.02	2.06	2.58	4.42	7.27	10.01	16.07	30.69	36.65

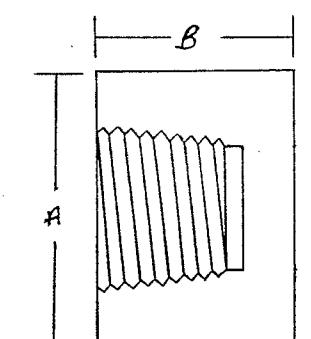


3000 POUND

Nominal Pipe Size	1/8	1/4	3/8	1/2	3/4	1	1 1/4	1 1/2	2	2 1/2	3	3 1/2	4
Dimension A	5/8	3/4	7/8	1 1/8	1 3/8	1 3/4	2 1/4	2 1/2	3	3 5/8	4 1/4	4 3/4	5 1/2
Dimension B	5/8	1 1/16	3/4	15/16	1	1 3/16	1 5/16	1 9/16	1 11/16	1 13/16	2 1/8	2 1/4	2 3/8
Approx. Wt. - Lbs.	.04	.05	.11	.15	.21	.41	.79	1.09	1.53	2.38	3.33	4.02	6.16

6000 POUND

Nominal Pipe Size	1/8	1/4	3/8	1/2	3/4	1	1 1/4	1 1/2	2	2 1/2	3	3 1/2	4
Dimension A	7/8	1	1 1/4	1 1/2	1 3/4	2 1/4	2 1/2	3	3 5/8	4 1/4	5	5 3/4	6 1/4
Dimension B	5/8	1 1/16	3/4	15/16	1	1 3/16	1 5/16	1 9/16	1 11/16	1 13/16	2 1/8	2 1/4	2 3/8
Approx. Wt. - Lbs.	.15	.17	.20	.35	.48	.95	2.02	2.55	3.80	5.0	7.54	9.27	15.19

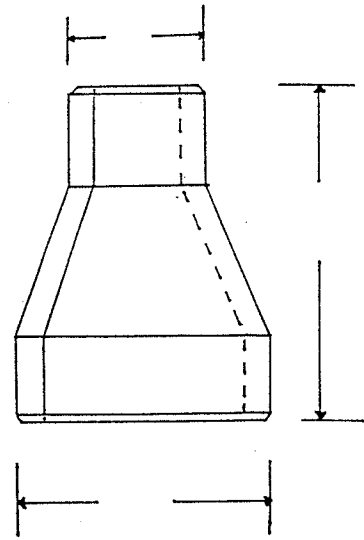
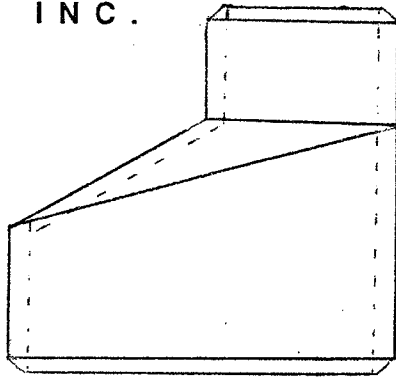


3000 POUND

Nominal Pipe Size	1/8	1/4	3/8	1/2	3/4	1	1 1/4	1 1/2	2	2 1/2	3	3 1/2	4
Dimension A	5/8	3/4	7/8	1 1/8	1 3/8	1 3/4	2 1/4	2 1/2	3	3 5/8	4 1/4	4 3/4	5 1/2
Dimension B	3/4	1	1	1 1/4	1 7/16	1 5/8	1 3/4	1 3/4	1 7/8	2 3/8	2 9/16	2 5/8	2 11/16
Approx. Wt. - Lbs.	.05	.08	.11	.23	.38	.70	1.28	1.58	2.25	4.22	6.38	7.09	11.13

6000 POUND

Nominal Pipe Size	1/8	1/4	3/8	1/2	3/4	1	1 1/4	1 1/2	2	2 1/2	3	3 1/2	4
Dimension A	7/8	1	1 1/4	1 1/2	1 3/4	2 1/4	2 1/2	3	3 5/8	4 1/4	5	5 3/4	6 1/4
Dimension B	7/8	1 1/16	1 1/16	1 5/16	1 1/2	1 11/16	1 13/16	1 7/8	2	2 1/2	2 11/16	2 7/8	2 15/16
Approx. Wt. - Lbs.	.13	.19	.34	.55	.78	1.62	1.91	3.07	4.53	7.37	11.32	13.50	23.01



Nominal Pipe Size	Outside Diameter at Bevel		End to- End H
	Large End	Small End	
3/4	1.050	0.675	1 1/2
3/4 x 1/2	1.050	0.840	1 1/2
1 x 3/4	1.315	1.050	2
1 x 1/2	1.315	0.840	2
1 1/4 x 1	1.660	1.315	2
1 1/4 x 3/4	1.660	1.050	2
1 1/4 x 1/2	1.660	0.840	2
1 1/2 x 1 1/4	1.900	1.660	2 1/2
1 1/2 x 1	1.900	1.315	2 1/2
1 1/2 x 3/4	1.900	1.050	2 1/2
1 1/2 x 1/2	1.900	0.840	2 1/2
2 x 1 1/2	2.375	1.900	3
2 x 1 1/4	2.375	1.660	3
2 x 1	2.375	1.315	3
2 x 3/4	2.375	1.050	3
2 1/2 x 2	2.875	2.375	3 1/2
2 1/2 x 1 1/2	2.875	1.900	3 1/2
2 1/2 x 1 1/4	2.875	1.660	3 1/2
2 1/2 x 1	2.875	1.315	3 1/2
3 x 2 1/2	3.500	2.875	3 1/2
3 x 2	3.500	2.375	3 1/2
3 x 1 1/2	3.500	1.900	3 1/2
3 x 1 1/4	3.500	1.660	3 1/2
3 1/2 x 3	4.000	3.500	4
3 1/2 x 2 1/2	4.000	2.875	4
3 1/2 x 2	4.000	2.375	4
3 1/2 x 1 1/2	4.000	1.900	4
3 1/2 x 1 1/4	4.000	1.660	4

Nominal Pipe Size	Outside Diameter at Bevel		End to- End H
	Large End	Small End	
3 1/2 x 3	4.000	3.500	4
3 1/2 x 2 1/2	4.000	2.875	4
3 1/2 x 2	4.000	2.375	4
3 1/2 x 1 1/2	4.000	1.900	4
3 1/2 x 1 1/4	4.000	1.660	4
4 x 3 1/2	4.500	4.000	4
4 x 3	4.500	3.500	4
4 x 2 1/2	4.500	2.875	4
4 x 2	4.500	2.375	4
4 x 1 1/2	4.500	1.900	4
5 x 4	5.563	4.500	5
5 x 3 1/2	5.563	4.000	5
5 x 3	5.563	3.500	5
5 x 2 1/2	5.563	2.875	5
5 x 2	5.563	2.375	5
6 x 5	6.625	5.563	5 1/2
6 x 4	6.625	4.500	5 1/2
6 x 3 1/2	6.625	4.000	5 1/2
6 x 3	6.625	3.500	5 1/2
6 x 2 1/2	6.625	2.875	5 1/2
8 x 6	8.625	6.625	6
8 x 5	8.625	5.563	6
8 x 4	8.625	4.500	6
8 x 3 1/2	8.625	4.000	6

