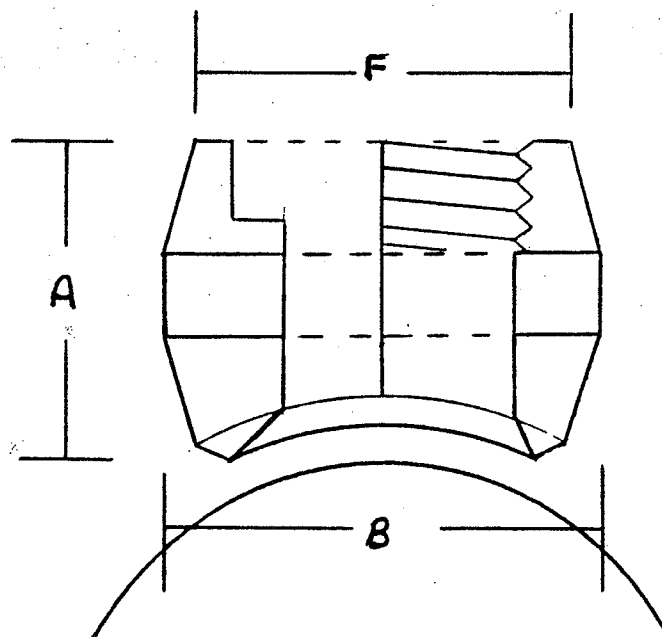




**THREADED
OUTLET**

**SOCKET WELDING
OUTLET**



Sch. 40 & Sch. 80

3000 lb.

SIZE	1/2	3/4	1	1 1/4	1 1/2	2	2 1/2	3	3 1/2	4
Dimension A	31/32	1 1/64	1 17/64	1 11/32	1 3/8	1 1/2	1 13/16	2	2 1/8	2 1/4
Dimension B	1 23/64	1 5/8	2 3/64	2 9/16	2 27/32	3 15/32	4 3/32	4 13/16	5 15/32	6
Dimension F	1 7/32	1 25/64	1 25/32	2 5/32	2 13/32	2 15/16	3 7/16	4 3/32	4 5/8	5 5/32

Sch. 160 & XXS

6000 lb.

SIZE	1/2	3/4	1	1 1/4	1 1/2	2	2 1/2	3	3 1/2	4
Dimension A	1 1/16	1 9/32	1 11/32	1 3/8	1 1/2	1 13/16	2	2 1/2	2 1/4	2 5/8
Dimension B	1 23/32	2 1/8	2 9/16	2 27/32	3 15/32	4 3/32	4 13/36	5 15/32	6	7 5/16
Dimension F	1 7/16	1 25/32	2 5/32	2 13/32	2 15/16	3 7/16	4 3/32	4 5/8	5 5/32	6 5/16